



# NEW HOLLAND

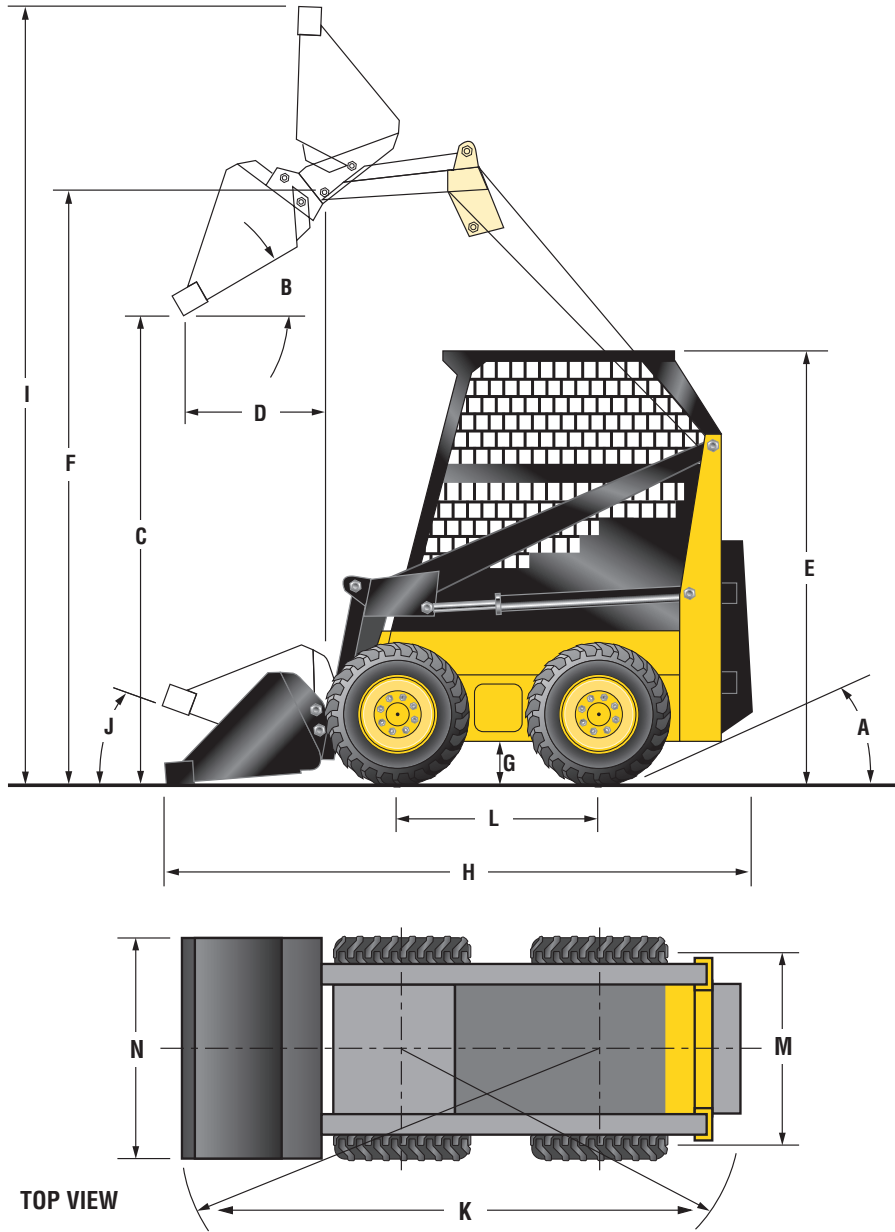
## L120 L125 SKID STEER LOADERS



BUILT AROUND YOU

# L120 L125 Specifications

## DIMENSIONS



A. Angle of departure	16°
B. Dump angle (maximum)	34.3°
C. Dump height (SAE)	61.8" (160 cm)
D. Dump reach @ maximum height (SAE)	21.4" (54 cm)
E. Height	69.4" (176 cm)
F. Height to hinge pin	93.6" (238 cm)
G. Ground clearance	6.8" (17 cm)
H. Length	95.2" (242 cm)
I. Operating height (maximum)	121.6" (309 cm)
J. Rollback angle (at carry position)	25°
K. Turning radius:	
L120:	
Front	48" (147 cm)
Rear	71" (180 cm)
L125:	
Bucket empty	71" (180 cm)
Bucket full	48" (147 cm)
L. Wheelbase	32" (81 cm)
M. Wheel tread	
w/5.70 x 12 tires	29.4" (75 cm)
w/23 x 8.5-12 tires	31.8" (81 cm)
N. Width	
w/5.70 x 12 tires & 36" bucket	35.2" (89 cm)
w/23 x 8.5 x12 tires & 42" bucket	40.25" (102 cm)

## BUCKETS

Type	Width	SAE Heaped cap	SAE Struck cap	Weight
Utility	36" (91 cm)	4.6 ft <sup>3</sup> (.13 m <sup>3</sup> )	3.5 ft <sup>3</sup> (.09 m <sup>3</sup> )	76 lb (35 kg)
Utility	42" (107 cm)	5.3 ft <sup>3</sup> (.15 m <sup>3</sup> )	4.0 ft <sup>3</sup> (.11 m <sup>3</sup> )	89 lb (40 kg)
Utility	47" (119 cm)	6.0 ft <sup>3</sup> (.17 m <sup>3</sup> )	4.5 ft <sup>3</sup> (.13 m <sup>3</sup> )	137 lb (62 kg)

# L120 L125 Specifications

CAPACITIES	
Hydraulic system	9 gal (34.1 L)
Cooling system	
L120	N.A.
L125	1.15 gal (4.35 L)
Engine crankcase (w/filter)	3.2 qt (3.03 L)
Fuel tank	6 gal (22.7 L)

PERFORMANCE	
<b>BREAKOUT FORCE:</b>	
SAE bucket breakout force	1,409 lb (639 kg)
SAE boom breakout force	1,137 lb (516 kg)
<b>CYCLE TIMES:</b>	
Raising time (with SAE operating load)	5.5 sec
Dumping time (with SAE operating load)	0.9 sec
Lowering time (empty)	3.4 sec
Retract time (empty)	1.9 sec
Total boom-cycle time	11.7 sec
<b>GROUND SPEED:</b>	
Maximum	5.8 mph (9.3 kph)
<b>OPERATING LOAD:</b>	
SAE 732 (L120)	600 lb (272 kg)
(L125)	700 lb (317 kg)
<b>OPERATING WEIGHT:</b>	
SAE* (L120)	2,050 lb (930 kg)
(L125)	2,185 lb (991 kg)
<b>TIPPING LOAD:</b>	
Per SAE J-732 (L120)	1,200 lb (544 kg)
(L125)	1,400 lb (635 kg)
*Base unit plus full fuel tank, 175 lb (79 kg) operator, 72" dirt an foundry bucket, 12.00 x 16.5 tires.	

ENGINE	
Manufacturer (L120)	Kohler
(L125)	New Holland
Model number (L120)	CH18
(L125)	NH673
Bore and stroke (L120)	3.03" x 2.64" (7.7 cm x 6.7 cm)
(L125)	2.6" x 2.5" (6.7 cm x 6.4 cm)
Cooling system (L120)	Air-cooled
(L125)	Water-cooled
Number of cylinders (L120)	2
(L125)	3
Displacement (L120)	38.1 in3 (624 cc)
(L125)	41.2 in3 (675 cc)
Fuel (L120)	Gas
(L125)	Diesel
Horsepower @ 3,600 rpm (L120)	18 hp (13.3 kW)
(L125)	16.5 hp (12.3 kW)
<b>SPEEDS:</b>	
L120:	
Fast, no load	3,600–3,750 rpm
Idle, no load	1,100–1,200 rpm
L125:	
Fast, no load	3,600–3,700 rpm
Idle, no load	1,100–1,200 rpm
Peak torque (L120)	30.0 ft-lb (40 Nm) @ 2500 rpm
(L125)	28.2 ft-lb (38 Nm) @ 2,200 rpm

POWER TRAIN	
Axle diameter	1.5" (3.8 cm)
Chain size	ASA 60 Standard Roller Chain
Forward and reverse speeds	0–5.8 mph (0–9.3 kph)

ELECTRICAL	
Alternator	20 amp
Battery	12-volt 410 CCA @ 0°: (-18°C) maintenance free
System protection:	15 amp circuit breaker

HYDRAULICS	
<b>BOOM CYLINDERS:</b>	
Make	New Holland double acting
Bore and stroke	2" x 26.25" (5.08 cm x 66.68 cm)
Rod size	1.25" (3.2 cm)
<b>BUCKET CYLINDERS:</b>	
Make	New Holland double acting
Bore and stroke	1.87" x 12" (4.76 cm x 30.48 cm)
Rod size	0.87" (2.2 cm)
Control valve	Two spool, open center with float
Hydraulic pump	Gear type, 8 gpm (30.2 lpm) @ 3,600 rpm
Relief pressure (maximum)	1,600 psi (11,025 kpa)

## Base and Optional Equipment

BASE EQUIPMENT		
<b>ENGINE</b>		<b>ELECTRICAL</b>
16.5-hp New Holland E673 diesel (L125)		12-volt system
18-hp Kohler CH18 gas (L120)		20-amp alternator (L120)
Dry air cleaner		22-amp alternator (L125)
Single fuel filter		Single battery with 410 CCA
<b>HYDRAULICS</b>		15-amp circuit breaker
New Holland double-acting boom cylinders		Hour meter
New Holland double-acting bucket cylinder		Fuel gauge
Spin-on filter		Seat belt light
Gear-type, 8-gpm hydraulic pump		<b>SERVICE</b>
<b>TRANSMISSION</b>		Rear door
Hydrostatic transmission		10-micron, no bypass, full-flow hydraulic filter
High-torque motors		<b>SAFETY</b>
Engine to transmission pumps		Manual in-cab boom lockouts
Belt clutch drive		Seatbelt
ASA 60 Standard Roller Chain		Seat switch
5.8-mph top speed		Hydraulic boom lockout
		ROPS operator area

OPTIONAL EQUIPMENT	
<b>LIGHTING</b>	<b>ACCESSORIES</b>
Warning lights	Boom hydraulics
Worklights	Heavy-duty air cleaner
<b>TIRES</b>	SMV signs
23 x 8.50-12 Standard Bar Lug Tread	<b>BUCKETS</b>
5.70 x 12 Narrow width	36" Utility
	42" Utility
	47" Utility

**SUPER BOOM™  
SKID STEER LOADERS**

**L120**

Horsepower  
Gross 18 hp (13.3 kW)

Operating weight  
2,050 lbs (930 kg)

Rated operating capacity  
600 lbs (272 kg)

**L125**

Horsepower  
Gross 16.5 hp (12.3 kW)

Operating weight  
2,185 lbs (991 kg)

Rated operating capacity  
700 lbs (317 kg)



**New Holland Construction Equipment  
Dealers are committed to your success**

Your New Holland construction equipment dealer can match you with the best equipment for your operation. Your productivity is their goal and your profitability is their priority.

But providing dependable, efficient construction equipment is only the beginning. Your dealer can also make it easier to put New Holland construction equipment to work on your job site by tailoring low-rate financing, lease programs and insurance plans to meet your needs.

And after the sale your dealer provides peace of mind with expert parts and service support. Factory-trained technicians will service your equipment promptly and maintain your investment.

Visit your New Holland construction equipment dealer and see for yourself why New Holland is a rapidly growing force in the construction equipment industry.



New Holland construction equipment is backed with a **1-Year Unlimited-Hour Standard Warranty\***

Visit our website at [www.newhollandconstruction.com](http://www.newhollandconstruction.com) Or, call toll-free: 1-866-726-3396



\*Mid-size and full-size excavators feature 1-year/2,000 hour standard warranties.

Design, materials and/or specifications are subject to change without notice and without liability therefor. Specifications are applicable to units sold in Canada, the United States, its territories and possessions, and may vary outside these areas.

© 2006 CNH America LLC  
New Holland is a trademark of CNH America LLC.



Safety begins with a thorough understanding of the equipment. Always make sure you and your operators read the Operator's Manual before using the equipment. Pay close attention to all safety and operating decals and never operate machinery without all shields, protective devices and structures in place.

Stock #NHC4170604 • 040610 • XXX • PRINTED IN U.S.A.



[www.newholland.com](http://www.newholland.com)